

**BEA**

Egg-Crate Grille

## Description

The BEA type grilles are designed for air transfer applications of return air.

## Properties

The BEA type grilles have fixed 12 x12 mesh blades with a large net area. The grilles are composed of a frame and blade group.

## Materials

The frame is manufactured from ETIAL-60 norm aluminium extruded profile, and the mesh blades are formed from ETIAL-5 aluminium sheet.

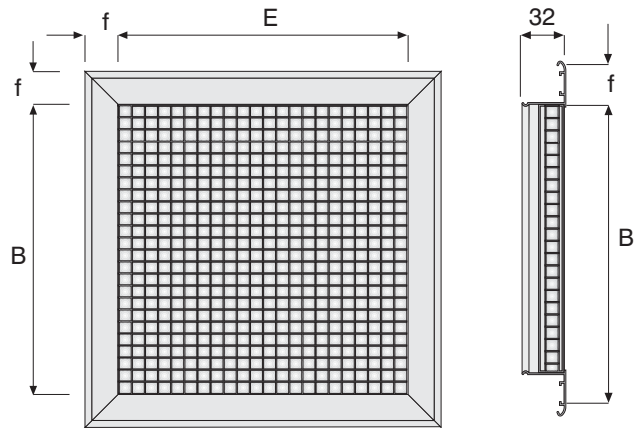
## Surface Treatment

The surface of the grilles are first cleaned, then treated with chromating process; after which, are painted electrostatically, with 20% gloss RAL9010 (white) as standard. Other colours are also available upon request.

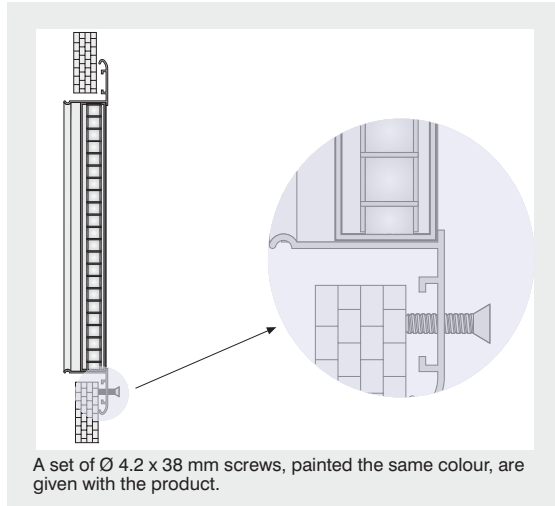
## Dimensions

Standard Dimensions	
E x B (mm)	A <sub>eff.</sub> (m <sup>2</sup> )
150 x 150	0,0205
200 x 200	0,0364
250 x 250	0,0569
300 x 300	0,0819
350 x 350	0,1115
400 x 400	0,1456
450 x 450	0,1843
525 x 525	0,2508

Frame	
f (mm)	
22	
32	



## Installation



A set of Ø 4,2 x 38 mm screws, painted the same colour, are given with the product.

## Technical Data

V <sub>eff.</sub> (m/s)	Pressure loss (Pa)	Sound power level dB(A)
1,20	2	<20
2,00	4	<20
2,50	8	23
3,00	12	27
4,00	21	34
5,00	29	40
6,00	38	44
7,00	46	46
8,00	51	47
9,00	63	48
10,00	71	49

## Specification Text

Air grille for air transfer purposes. The grille frame will be manufactured from ETIAL-60 norm aluminium profiles, and the mesh blades from ETIAL-5 aluminium sheet. The grille will be cleaned and chromated; then will be painted to

ordered request with electrostatic powder paint and a minimum thickness of 60 $\mu$ .

## Order Code

Model	<b>BEA.32.AA.10-300 x 300-9010</b>		
Frame	22 mm 32 mm	E x B (mm) Refer to page 2	Indicate RAL colour Code
Installation Type	00...Without Screw Holes 10...With screws	Standard Dimensions	Colour Code

**B**

**BEA**

**Egg - Crate  
Grille**

**KES KLİMA**  
INDUSTRIAL AND TRADE CO.

Uzay Çayı Caddesi No:10  
06370 Östim/ANKARA  
Phone: +90.312.385 76 57  
Fax : +90.312.354 12 31  
[www.kesklima.com](http://www.kesklima.com)



TÜV Rheinland Group



DIN EN ISO 9001:2000  
Zertifikat: 01 100 042854